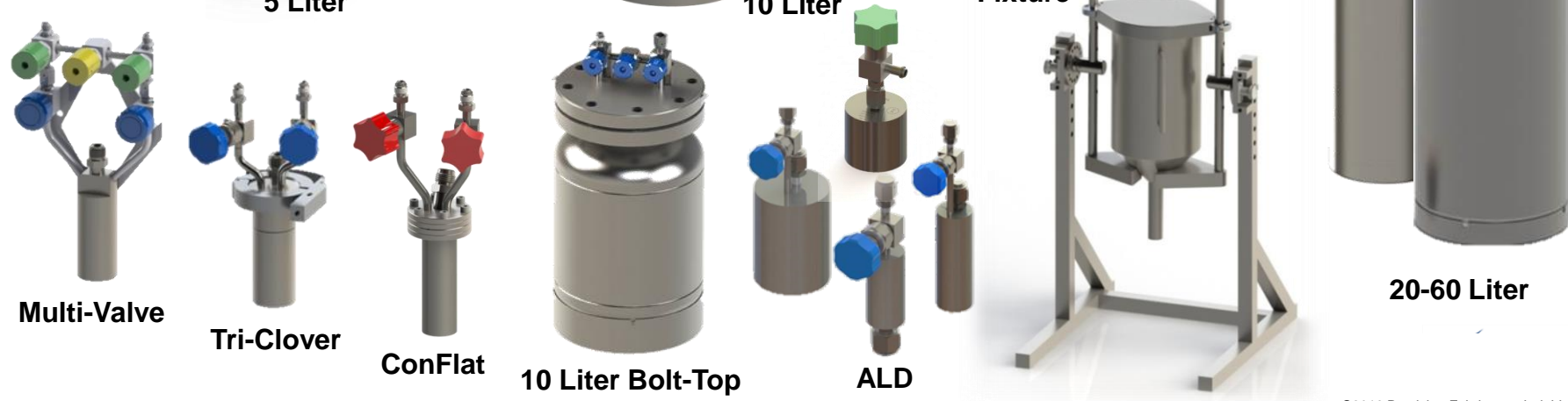
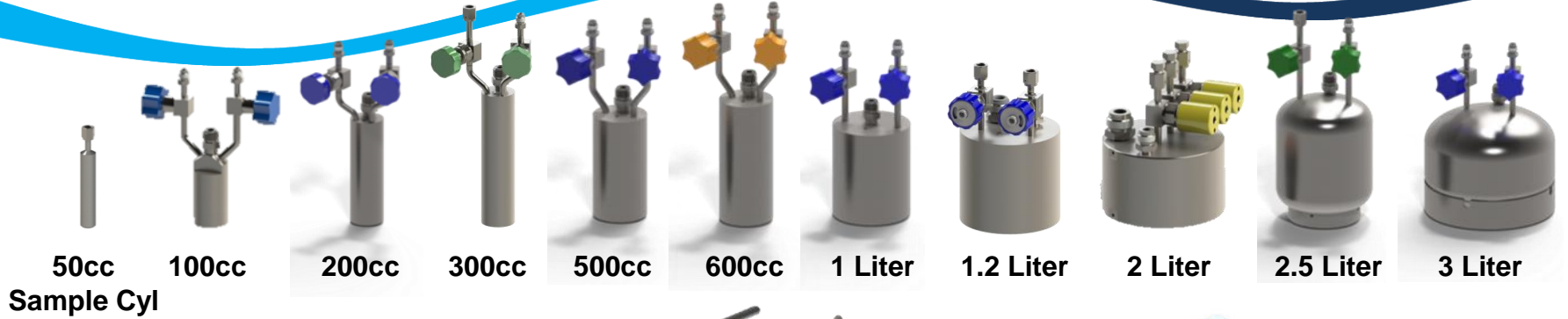


# Product Mix – Bubblers, Cylinders, Ampoules



# Cylinders, Bubblers, Ampoules, Reactors

Precision Fabricators produces stock and custom UN and DOT cylinders tailored to each customer's needs. PFL cylinders are the preferred industry choice for reliable, safe and cost-effective precursor delivery.

## Standard Cylinders

Volume		diameter (inches)	diameter (mm)	Valve Ctr- to-Ctr	Style #
10	ml	0.5	13	na	424
25		1	25	na	202
50		1	25	3.25	345
100		2	51	3.25	178
150		2	51	3.25	248
200		2	51	3.25	176
300		2	51	3.25	309
500		3	76	3.25	220
1	liter	4	76	3, 3.25	269
1.2		5.5	140	3, 3.25	190
1.5		5.5	140	3, 3.25	219
2		6	152	3, 3.25	183
2.5		6	152	3.25	230
4		6	152	3, 3.25, 4.98	175
5		8.625	219	3, 3.25, 4.98	242
6		8.625	219	3, 3.25, 4.98	229
10		8.625	219	3, 3.25, 4.98	242
19		8.625	219	4.98, 6	414
20		12.75	324	4.98, 6	328
30		12.75	324	4.98, 6	185-3
40		12.75	324	4.98, 6	185-4
60		12.75	324	4.98, 6	185-6

\*DOT4B maximum pressure rating is 500psi. Vessels may be constructed that are safe to higher operating pressures.



ISO 9001:2008

Contact Samantha Hutcheon  
[shutcheon@precisionfab.net](mailto:shutcheon@precisionfab.net)  
 +1.781-341-7242 x201

## Vessel Specifications

<i>Material</i>	316L Stainless Steel
<i>Finish</i>	Electropolished and Passivated, 5Ra-20Ra
<i>Certification</i>	DOT4B, 4BA, 4BW, other
<i>Pressure Test</i>	300psi min, 1000psi max (rated 150-500psi)
<i>Welding</i>	ASME Section VIII TIG Orbital (machine), TIG manual, MIG
<i>Ports</i>	¼", ½", ¾", 1" MVCR/FVCR with/without dip-tube
<i>Valves</i>	High purity: Diaphragm, Bellows, Needle
<i>Temperature</i>	Standard=120C, High Temp=300C
<i>Vacuum</i>	Helium Leak Tested 1x10 <sup>-9</sup> atm-cc/sec
<i>Orientation</i>	Vertical, horizontal, splayed, split, staggered
<i>Markings</i>	Lasermarked DOT, UN, ASME, Branding and similar

## Stock & custom cylinders

### Pressure vessels

### Bubblers

### Ampoules

### Sample cylinders

Cylinder refurbishment

Cylinder repair

Cylinder requalification

Fleet management

Electropolishing Services

Lasermarking Services

Design Services

Systems Integration

Level Sensors



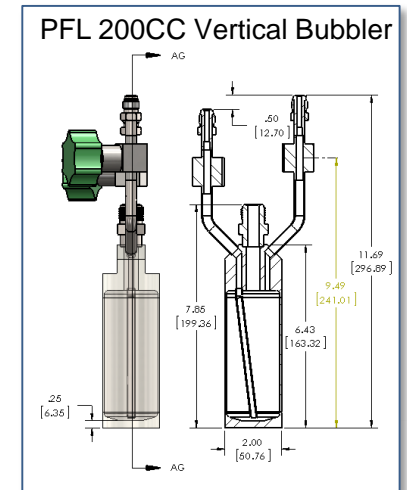
Sensaras



**Clean and Ready-to-Fill** available

Class 100 cleanroom and cylinder prep facility

Particle free and dry to ppm and ppb levels



©2016 Precision Fabricators Ltd, LLC